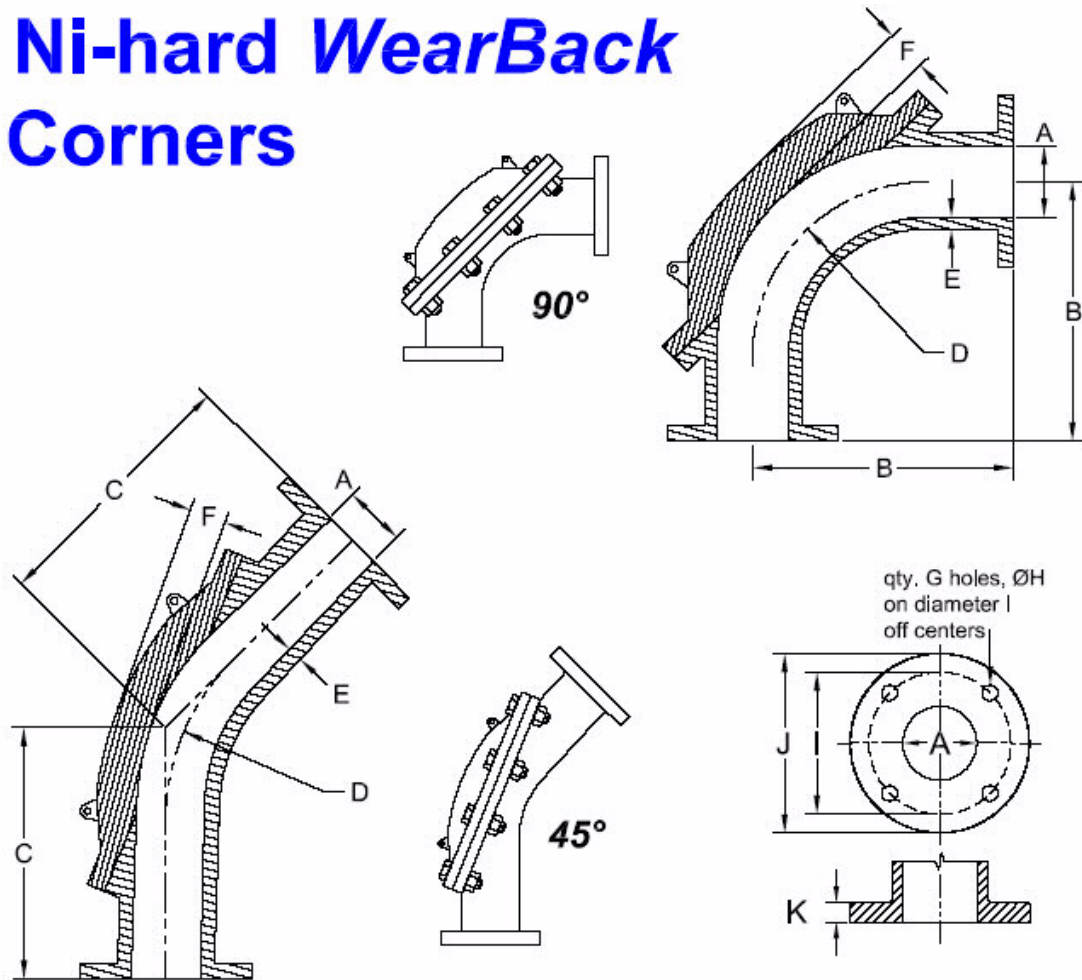


Ni-hard *WearBack* Corners



Dimensions are approximate and subject to change without notice.

I.D.	90°	45°	radius	wall	wearback	Flange Dimensions (ASA 150)					Weight KG
						G	H	I	J	K	
2"	203	203	127	13	40	4	19	121	152	22	24
3"	320	279	250	16	51	4	19	152	191	20	50
4"	311	318	210	16	32	8	19	191	229	20	63
5"	350	381	250	18	51	8	22	216	260	25	80
6"	381	432	300	18	51	8	22	241	285	22	110
8"	508	559	406	19	66	8	22	299	343	29	245

BUSH & WILTON LTD

1 Millennium Place
Tiverton Business Park
Tiverton
Devon EX16 6SB

Tel: + 44 (0) 1884 242233 Fax: + 44 (0) 1884 252555
sales@bushandwilton.co.uk <http://www.bushandwilton.co.uk>